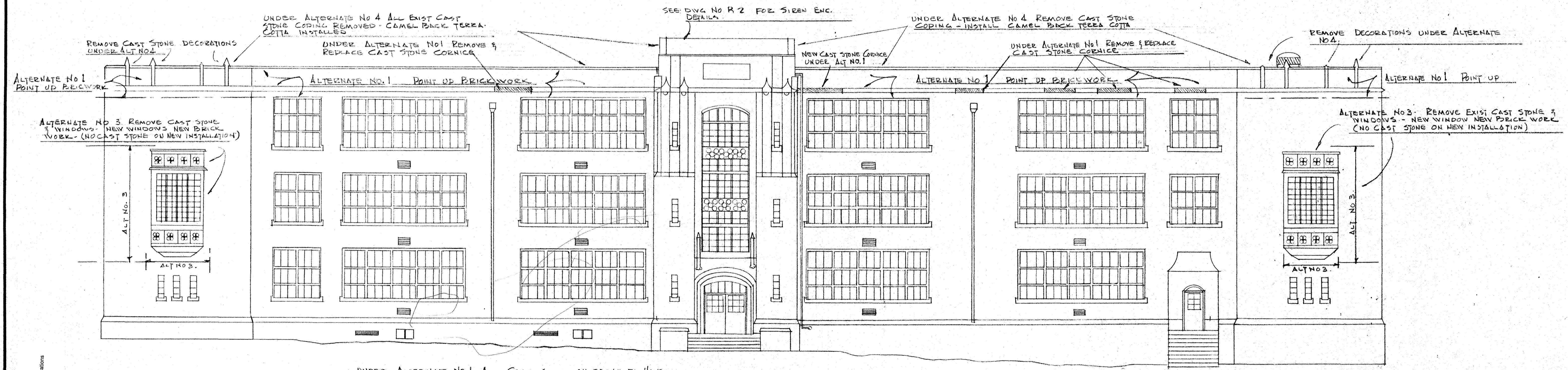


LEFT SIDE VIEW
SCALE 1/8" = 1'-0"

RIGHT SIDE VIEW
SCALE 1/8" = 1'-0"

SEE DIVG R-2 FOR WORK UNDER ALTERNATE 2.

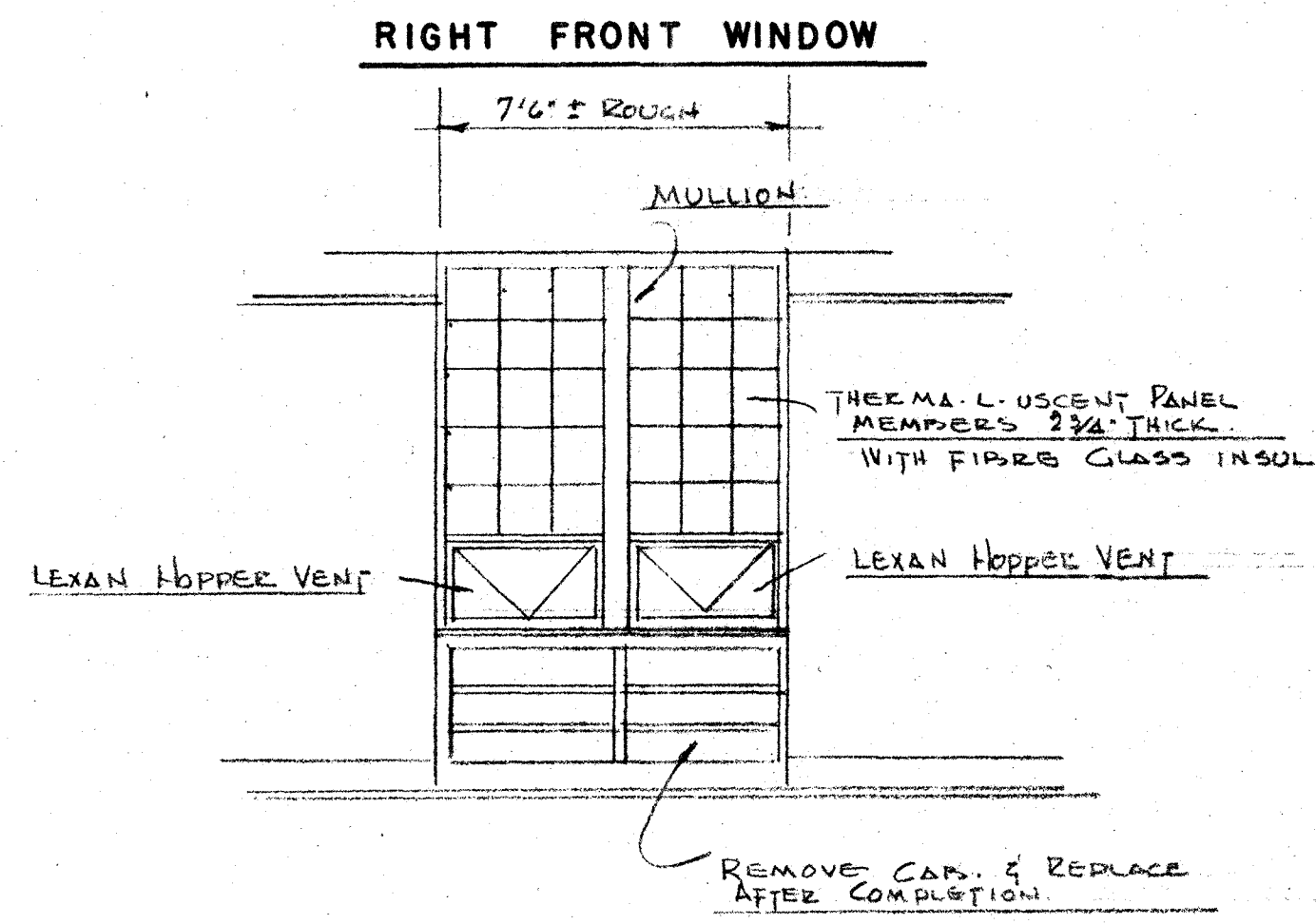
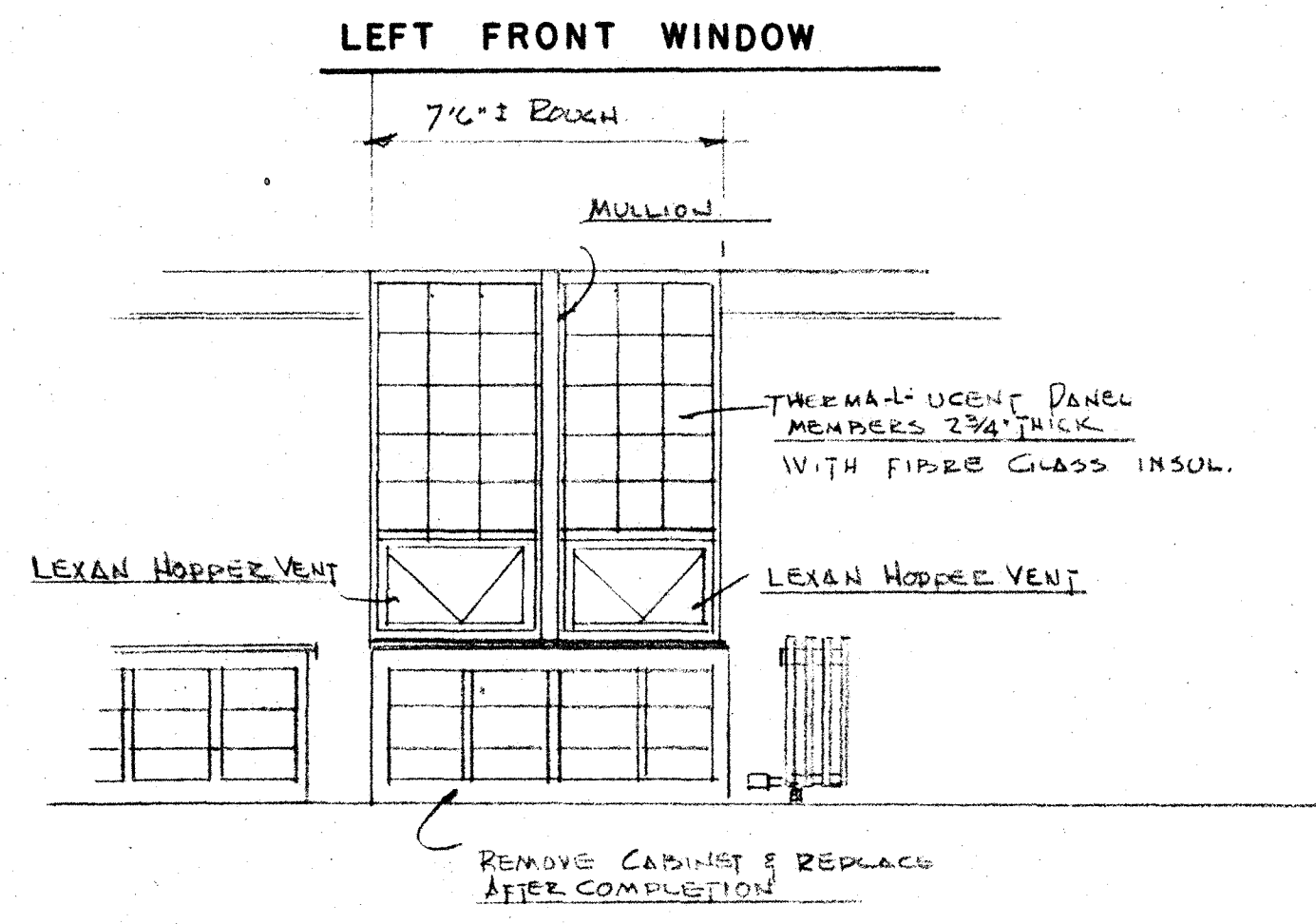


UNDER ALTERNATE NO 1 ALL CAST STONE ON FRONT TO HAVE (2) COATS OF SILICONE APPLIED.

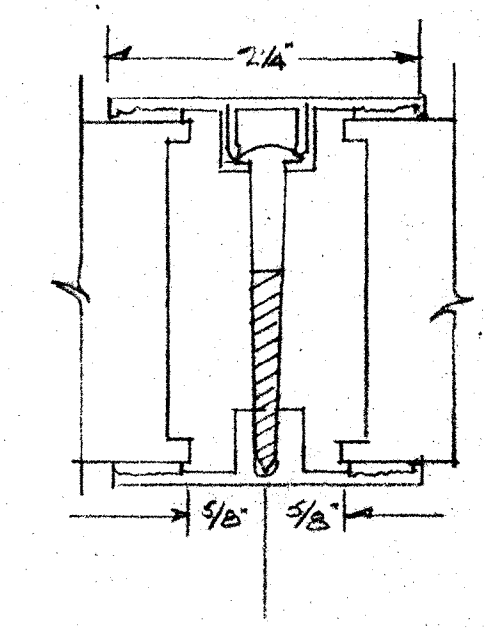
FRONT VIEW
SCALE 1/8" = 1'-0"

257 DB-101540
10/11/97
Elias Brookings School Building Renovations

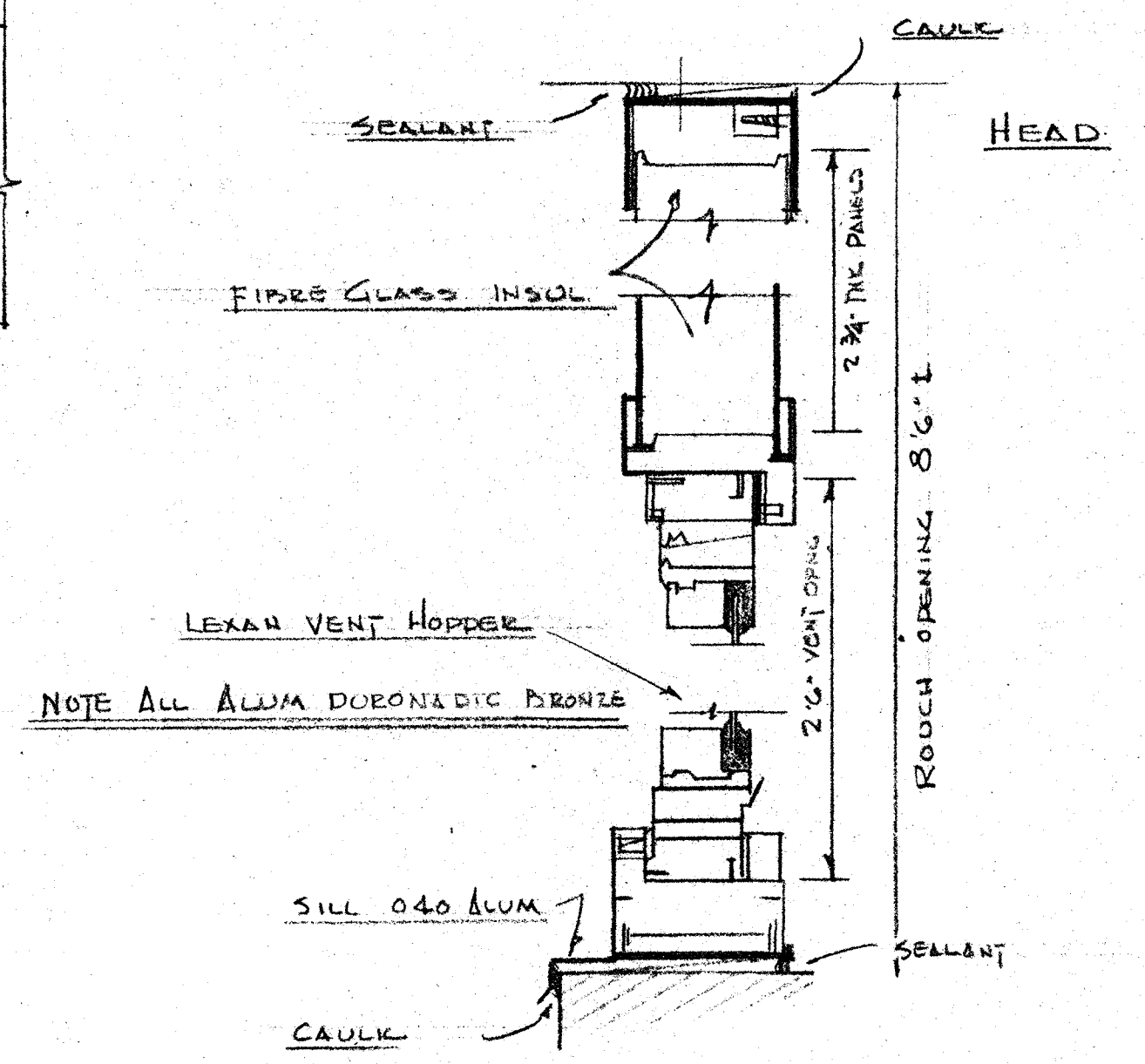
	BUILDING RENOVATIONS		SCALE: AS NOTED
	ELIAS BROOKINGS SCHOOL		DRAWN: RH
	SPRINGFIELD, MASSACHUSETTS		DATE: SEPT 75
			DWG. NO.: R-1



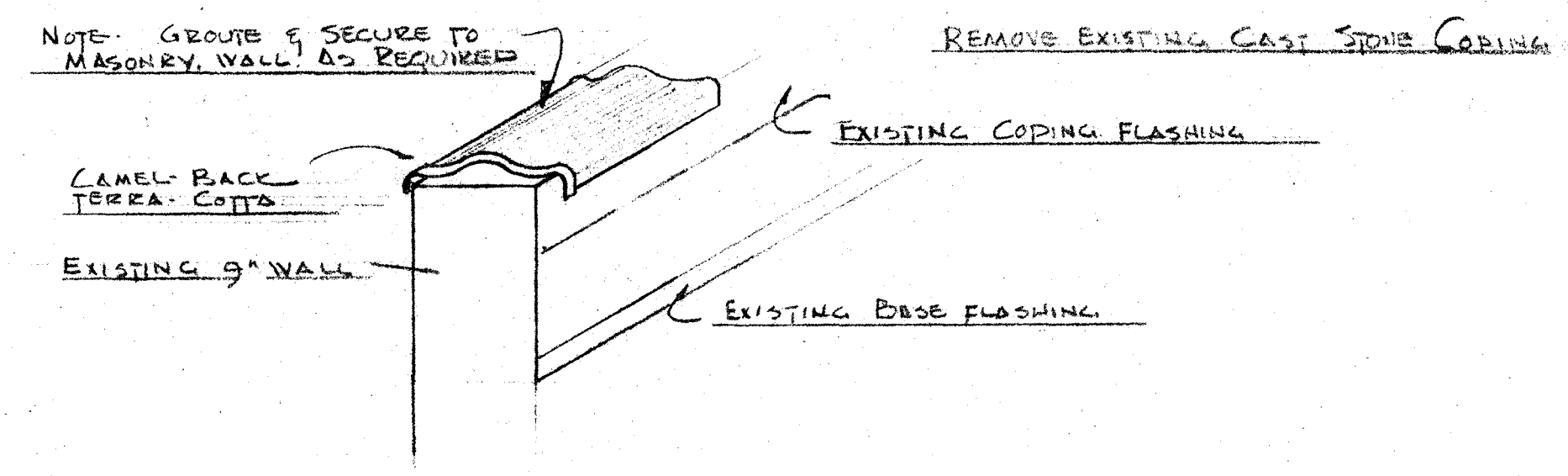
WINDOW DETAILS OF INTERIOR ELEVATIONS — ALTERNATE NO. 3
 NOT TO SCALE



MULLION DETAIL
 NOT TO SCALE

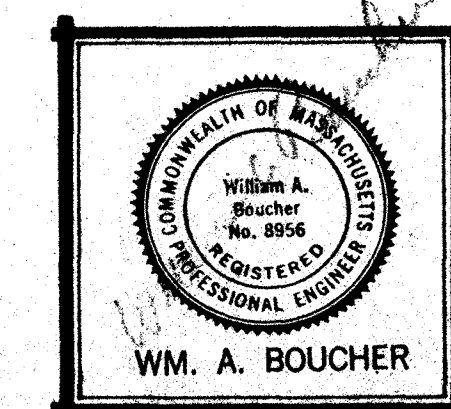


WINDOW DETAIL
 NOT TO SCALE



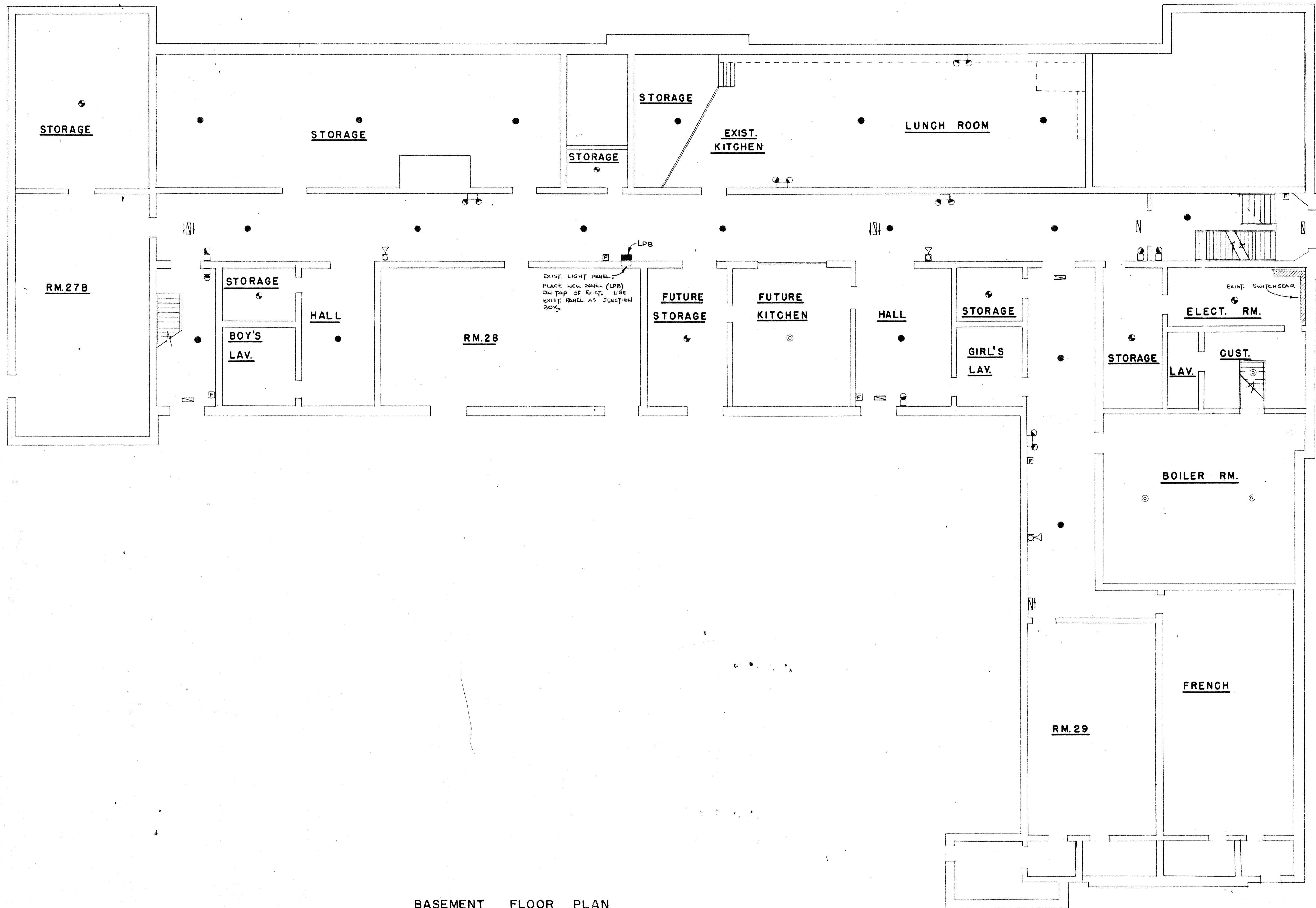
COPING DETAIL ALTERNATE NO. 4
 NOT TO SCALE

Elias Brookings School Building Renovations
 10/14/87



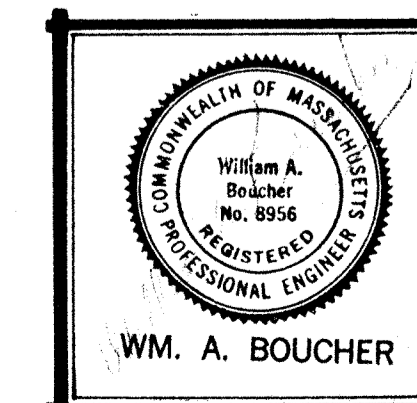
DETAILS	
BUILDING RENOVATIONS	
ELIAS BROOKINGS SCHOOL	
SPRINGFIELD, MASSACHUSETTS	

SCALE: AS NOTED
DRAWN: R.R.
DATE: OCT 14, 75
DWG. NO:
R-3



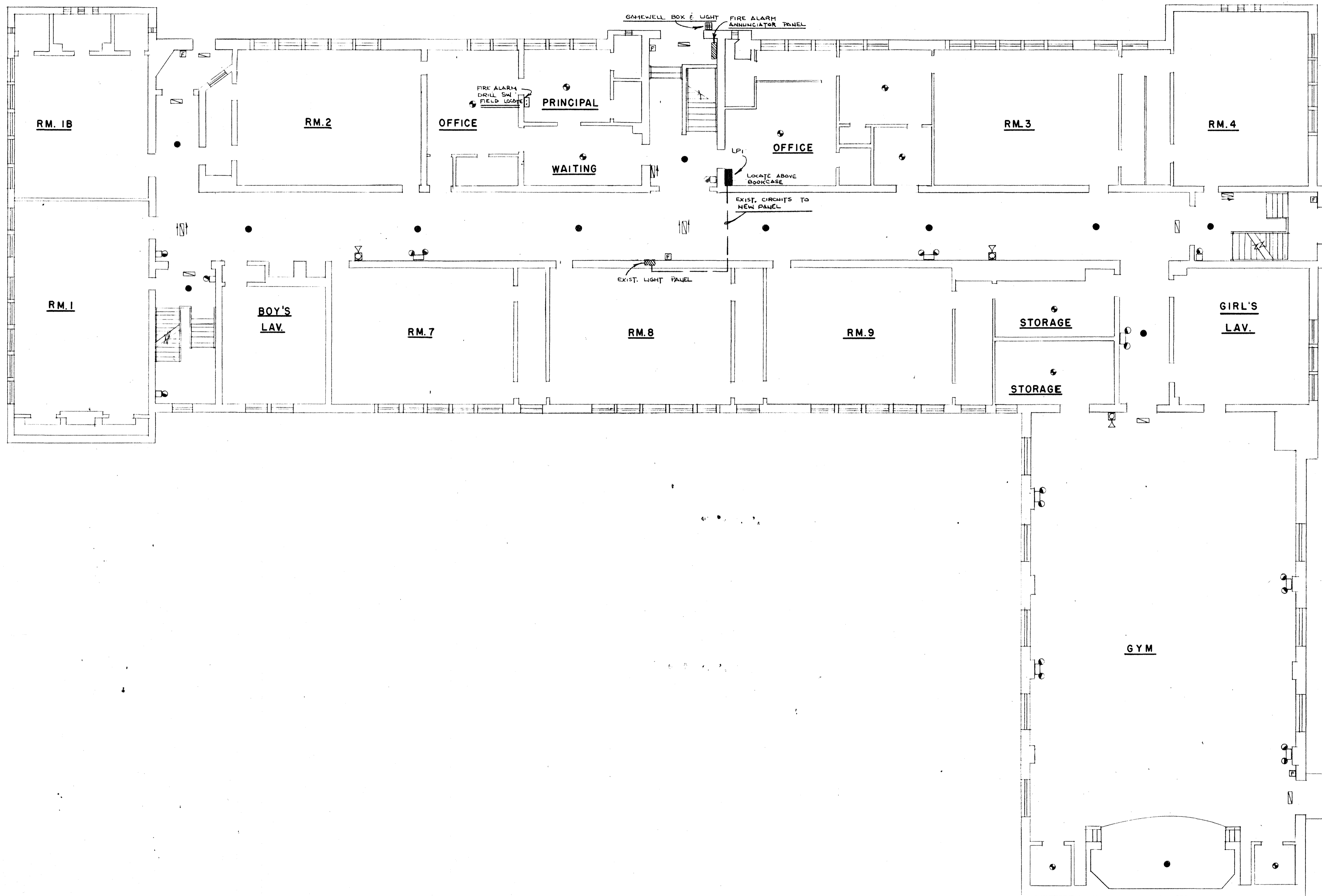
BASEMENT FLOOR PLAN
SCALE 1/4" = 1'-0"

267-005-01455
Elias Brookings School Electrical Renovations
4/30/75



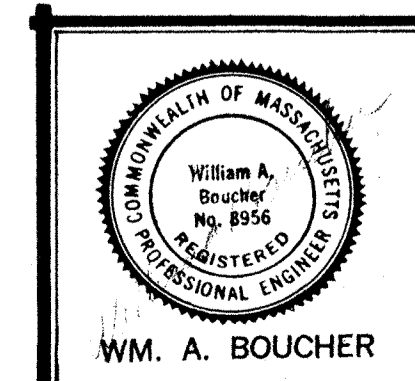
BASEMENT FLOOR PLAN
ELECTRICAL RENOVATIONS
ELIAS BROOKINGS SCHOOL
SPRINGFIELD, MASSACHUSETTS

SCALE: 1/4" = 1'-0"
DRAWN: M.S.
DATE: APRIL 30 75
DWG. NO.:
E-1



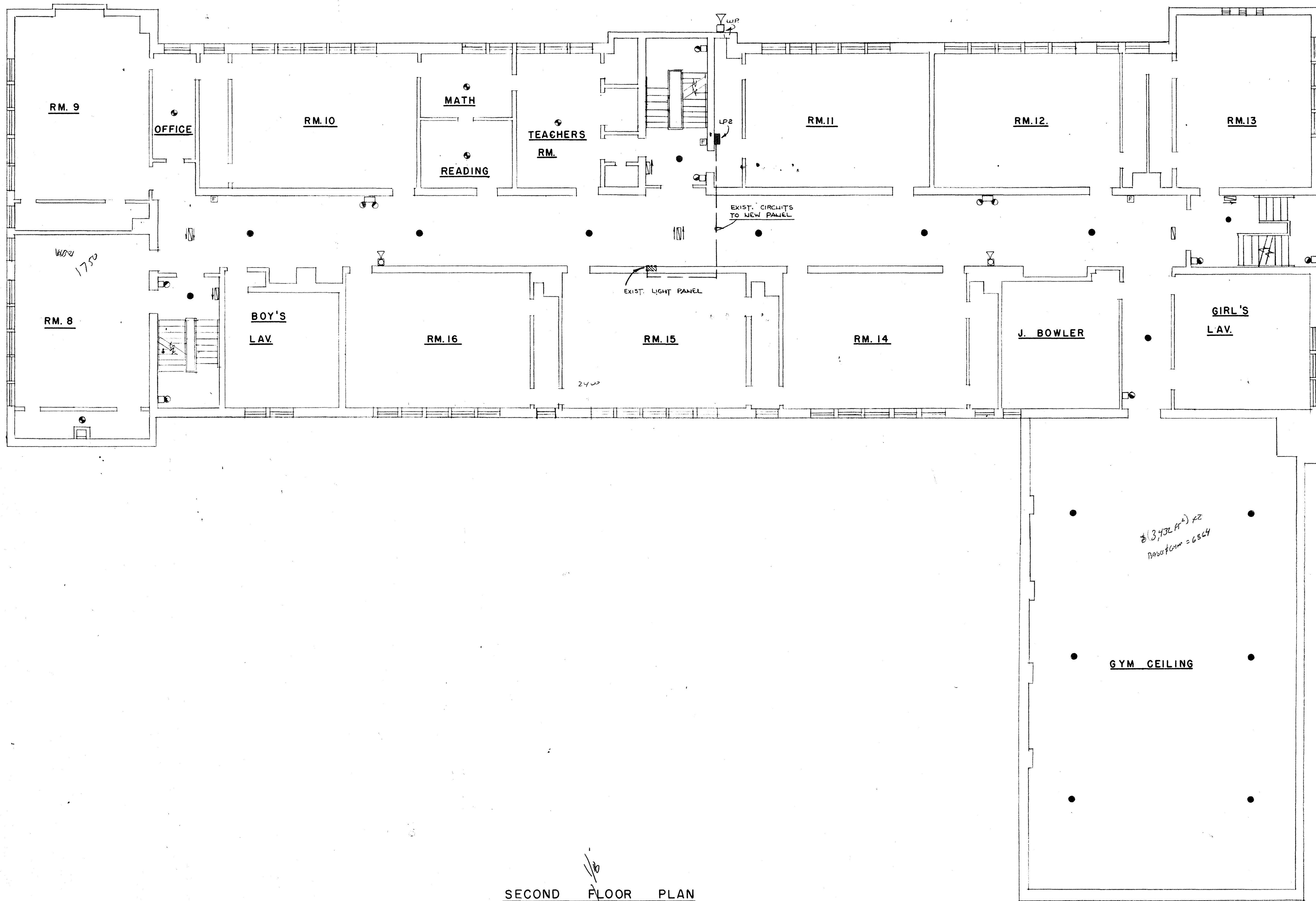
FIRST FLOOR PLAN
SCALE 1/4" = 1'-0"

247 OR-101550
Elias Brookings School Electrical Renovations
4/30/75



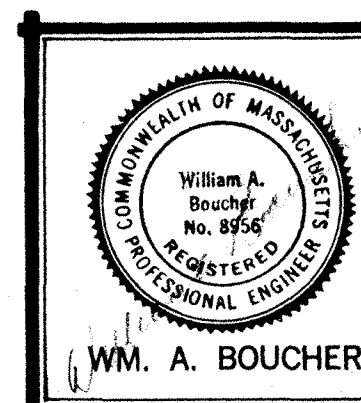
FIRST FLOOR PLAN
ELECTRICAL RENOVATIONS
ELIAS BROOKINGS SCHOOL
SPRINGFIELD, MASSACHUSETTS

SCALE: 1/4" = 1'-0"
DRAWN: M.S.
DATE: APRIL 30, 75
DWG. NO.:
E-2



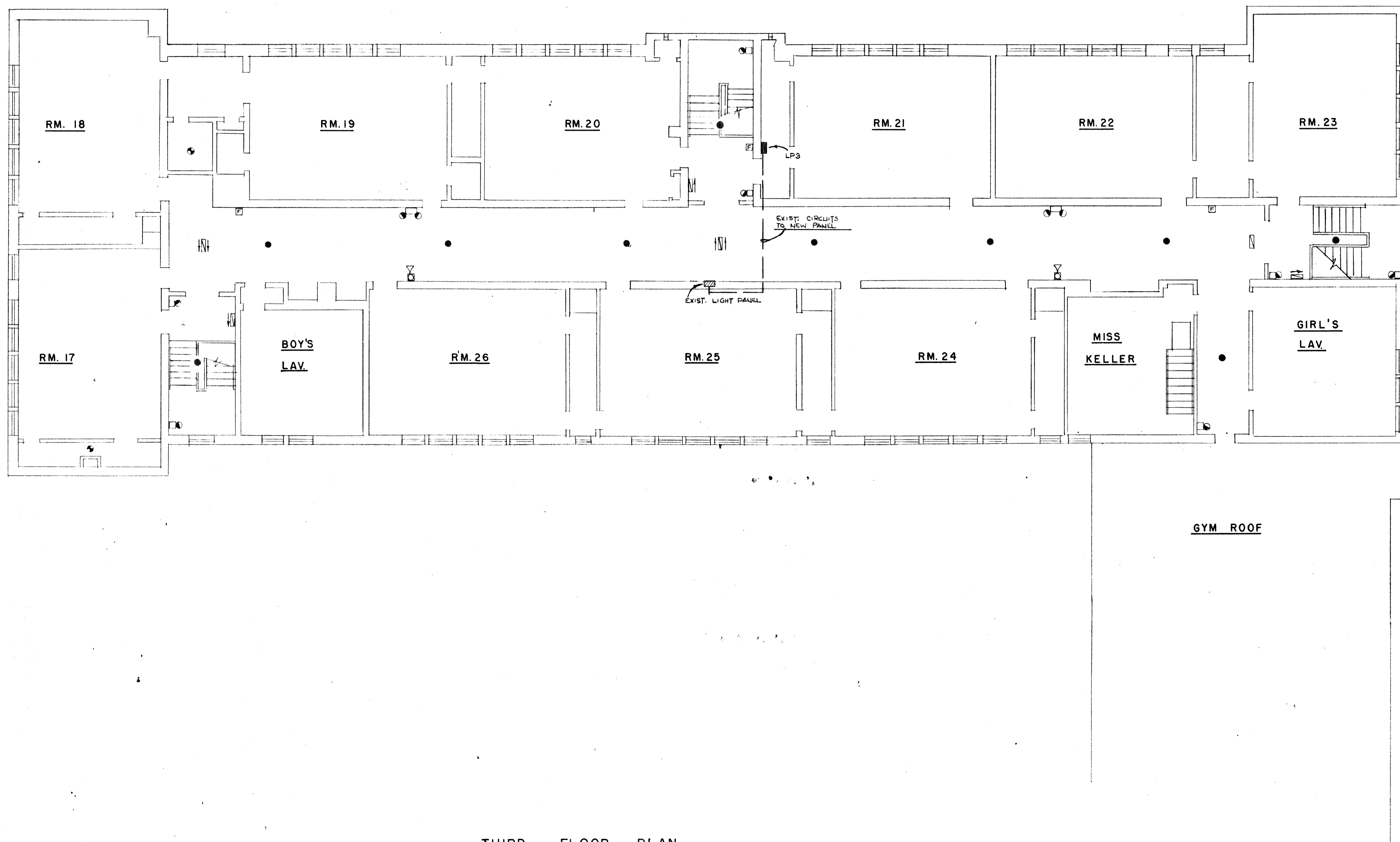
SECOND FLOOR PLAN
SCALE 1/4" = 1'-0"

257-DR-101850
Elias Brookings School Electrical Renovations
4/30/75



SECOND FLOOR PLAN
ELECTRICAL RENOVATIONS
ELIAS BROOKINGS SCHOOL
SPRINGFIELD, MASSACHUSETTS

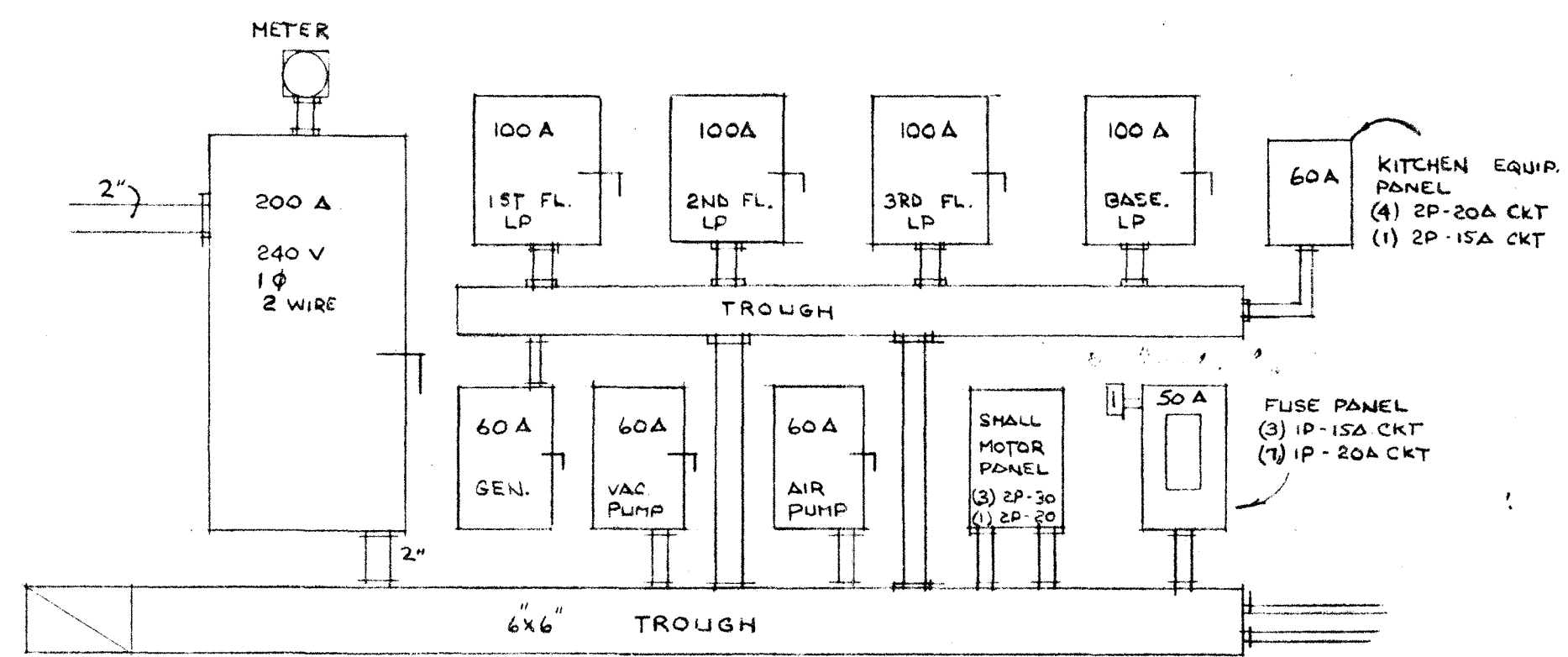
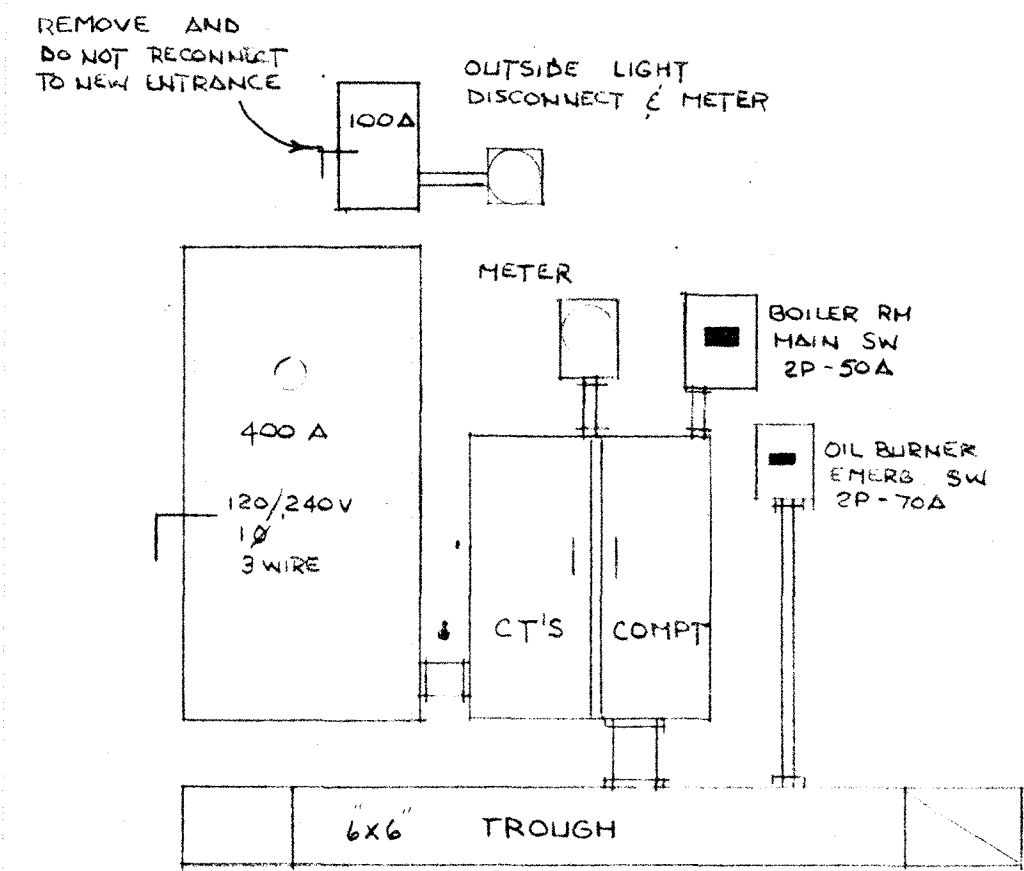
SCALE: 1/4" = 1'-0"
DRAWN: M.S.
DATE: APRIL 30 75
DWG. NO.:
E-3



THIRD FLOOR PLAN
SCALE 1/4" = 1'-0"

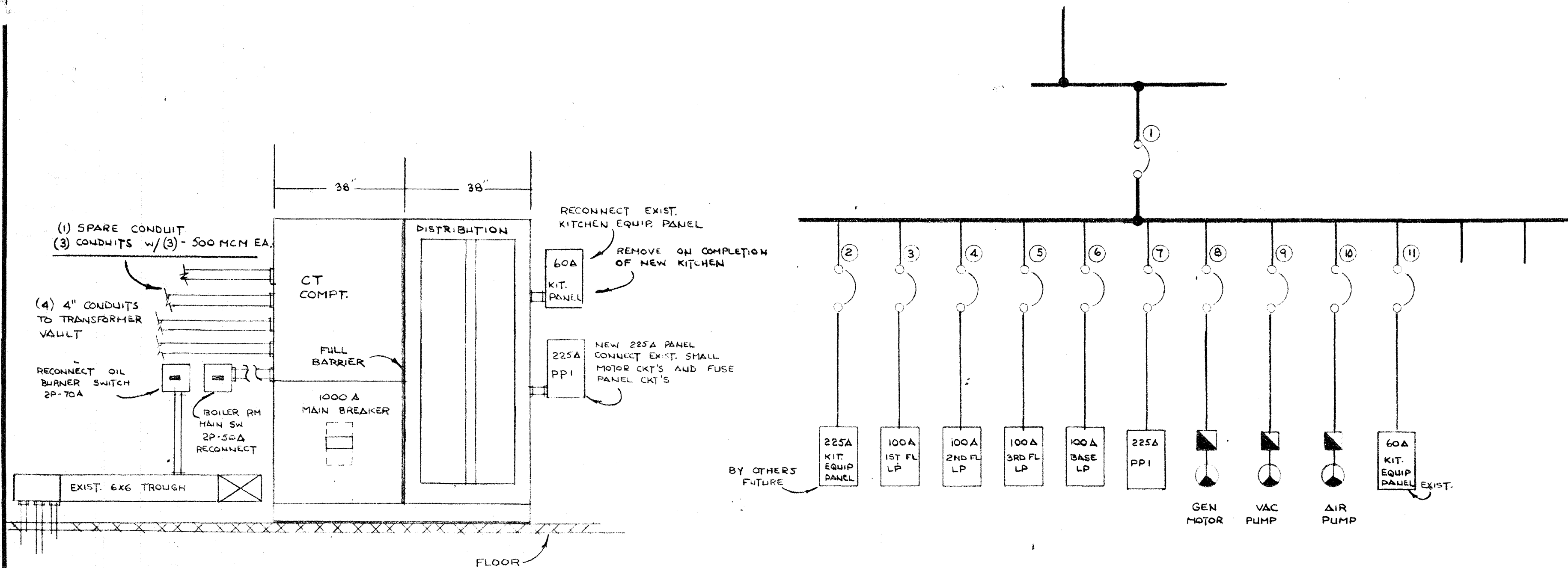
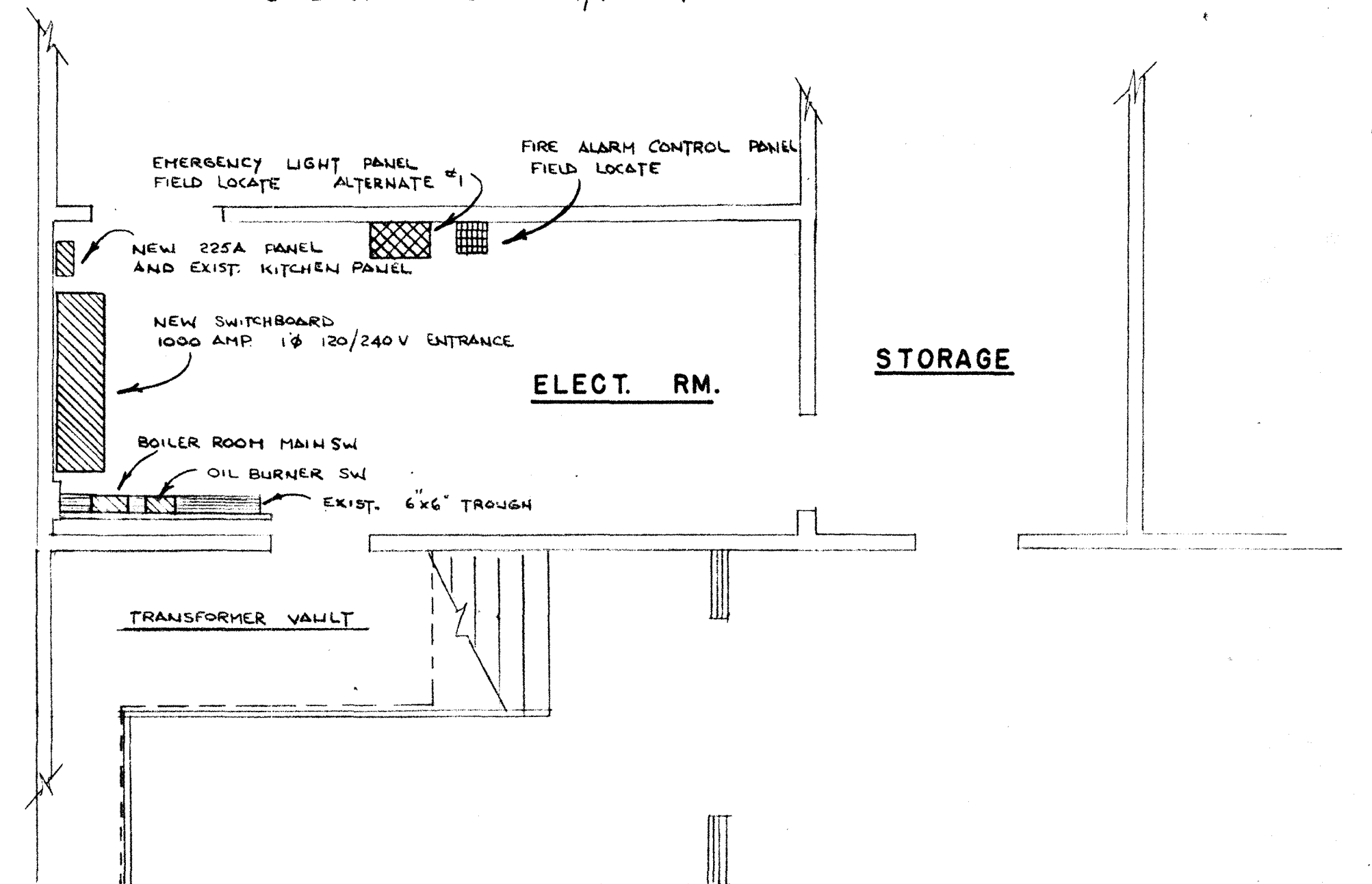
257-DR-10-1561
Elias Brookings School Electrical Renovations
4/30/76

	THIRD FLOOR PLAN	SCALE: 1/4" = 1'-0"
	ELECTRICAL RENOVATIONS	DRAWN: M.S.
	ELIAS BROOKINGS SCHOOL	DATE: APRIL 30 '76
	SPRINGFIELD, MASSACHUSETTS	DWG. NO.: E-4



EXISTING SERVICE ENTRANCE
NOT TO SCALE

NEW SERVICE ENTRANCE FLOOR PLAN
SCALE 1/4" = 1'-0"



NEW SERVICE ENTRANCE
NOT TO SCALE

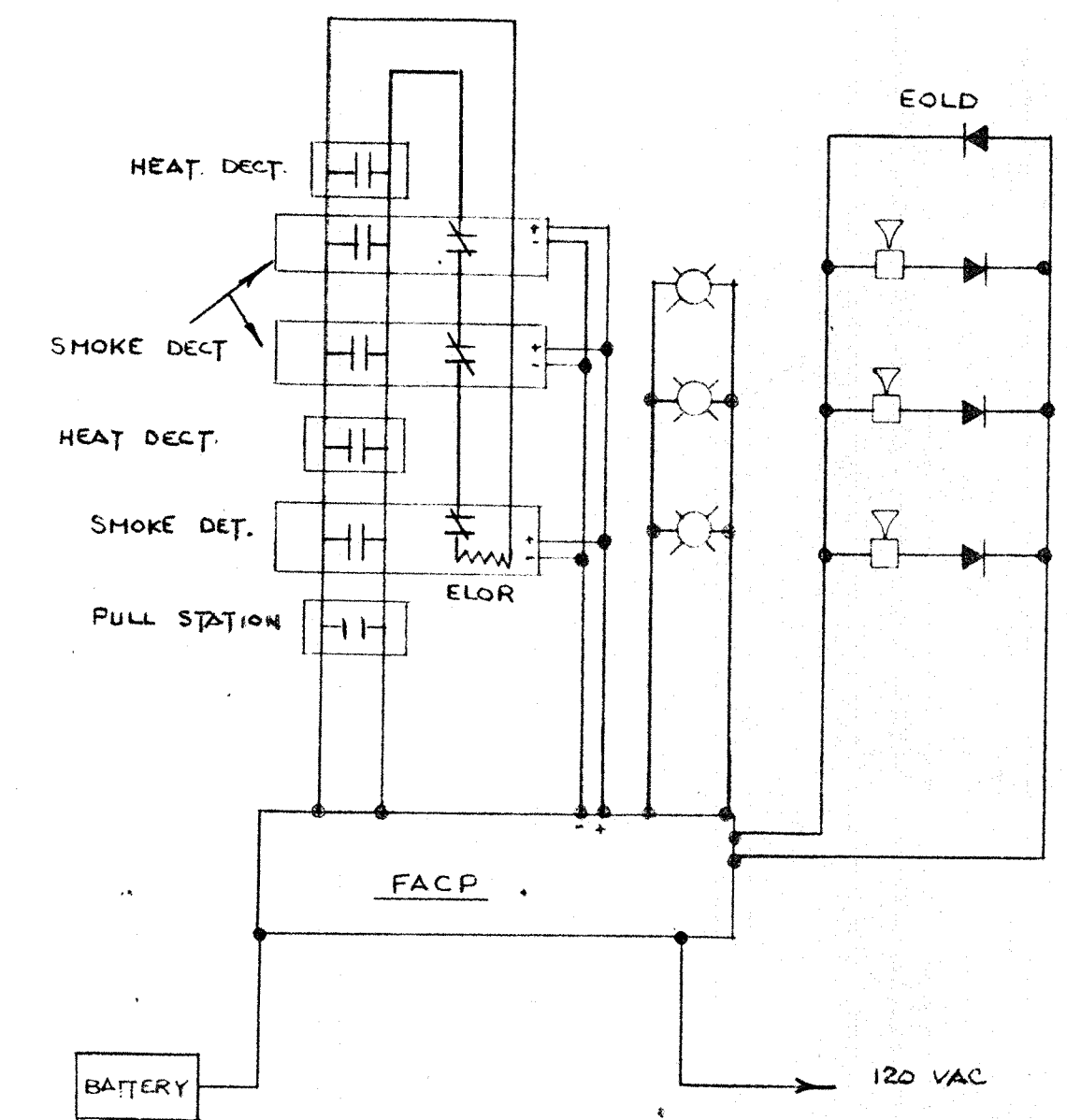
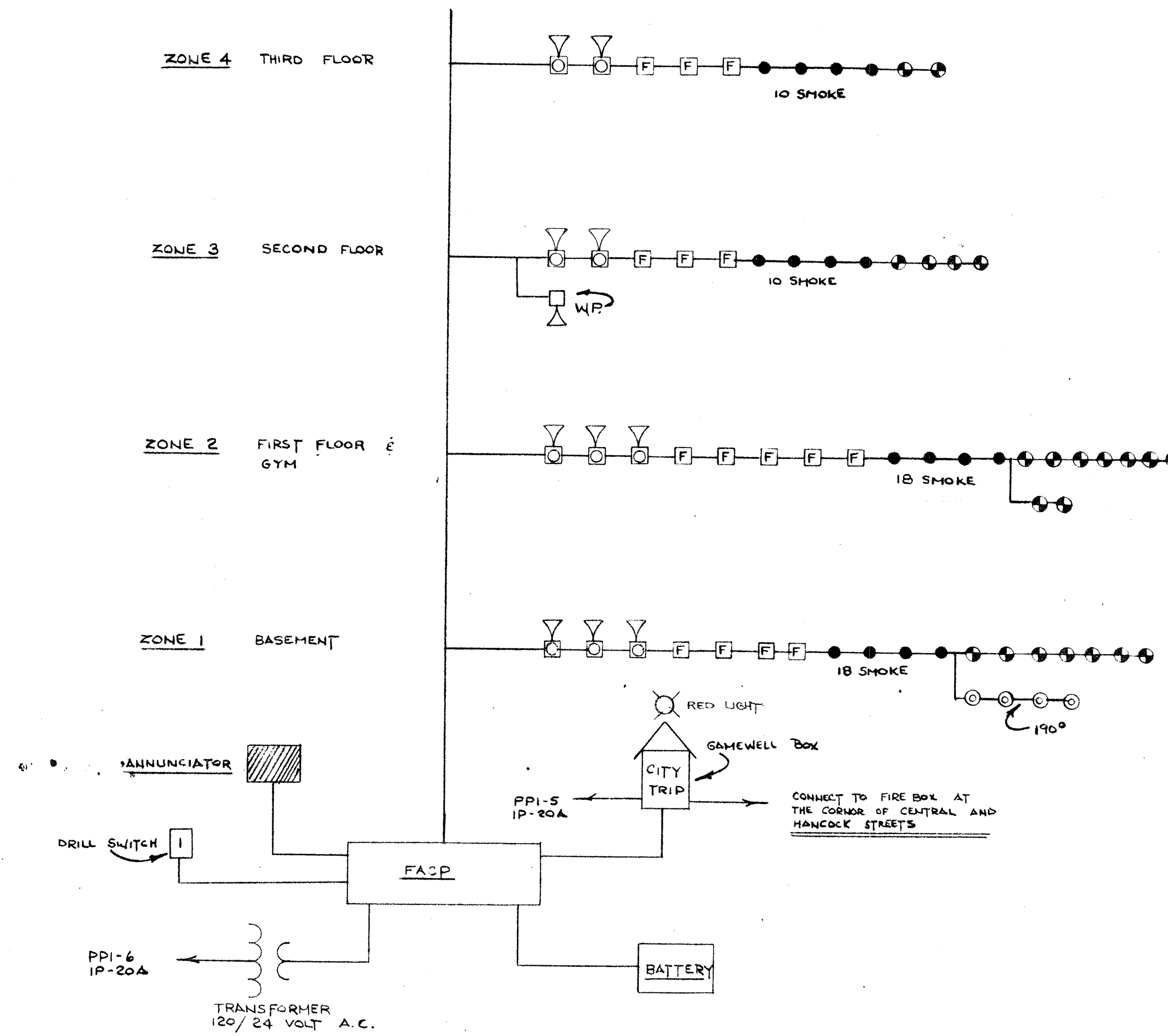
SWITCHGEAR SCHEDULE						
CKT	DESCRIPTION	POLE	AMP	AIC	FRAME	REMARKS
1	MAIN SWITCH *	3	1000	75,000	HNB	CLASS I SWITCHBOARD
2	KITCHEN EQUIP. PANEL (FUTURE)	2	225		HKA	
3	1ST FLOOR LP	2	100		HFB	
4	2ND FLOOR LP	2	100			
5	3RD FLOOR LP	2	100			
6	BASEMENT LP	2	100			
7	SMALL MOTOR & FUSE PANEL (PPI)	2	225		HKA	
8	GEN. MOTOR	2	60		HFB	
9	VAC. PUMP	2	60			
10	AIR PUMP	2	60			
11	KITCHEN EQUIP. PANEL (EXIST.)	2	60			
12	SPACE					
13	SPACE					
14						
15						
16						

* SWITCHGEAR TO BE 3Ø 4 WIRE INSULATE UNUSED BUSS

257-DR-101582
Elias Brookings School Renovations
4/30/75

<p>W. A. BOUCHER</p>	ELECTRICAL ENTRANCE	SCALE: 1/4" = 1'-0"
	ELECTRICAL RENOVATIONS	DRAWN: M.S.
	ELIAS BROOKINGS SCHOOL	DATE: APRIL 30 '75
	SPRINGFIELD, MASSACHUSETTS	DWG. NO.: E-5

PANELBOARD SCHEDULE								
PANEL	MOUNTING	PHASE VOLTS	AMPS	BRANCH CKTS				REMARKS
				20A	30A	15A	TYP	
LP1	SURFACE	1φ 120/240v	100 A	20	2	1	15	42 POLE PANEL MAIN LUGS ONLY 10,000 A.I.C. BREAKERS BOLT ON
LP2				16	2	1	15	
LP3				16	2	1	15	
PPI			225A	3	9	4	15	
				1	1	2	20	
				2	2	2	30	
LPB			100 A	10	2	1	15	
				4			30	

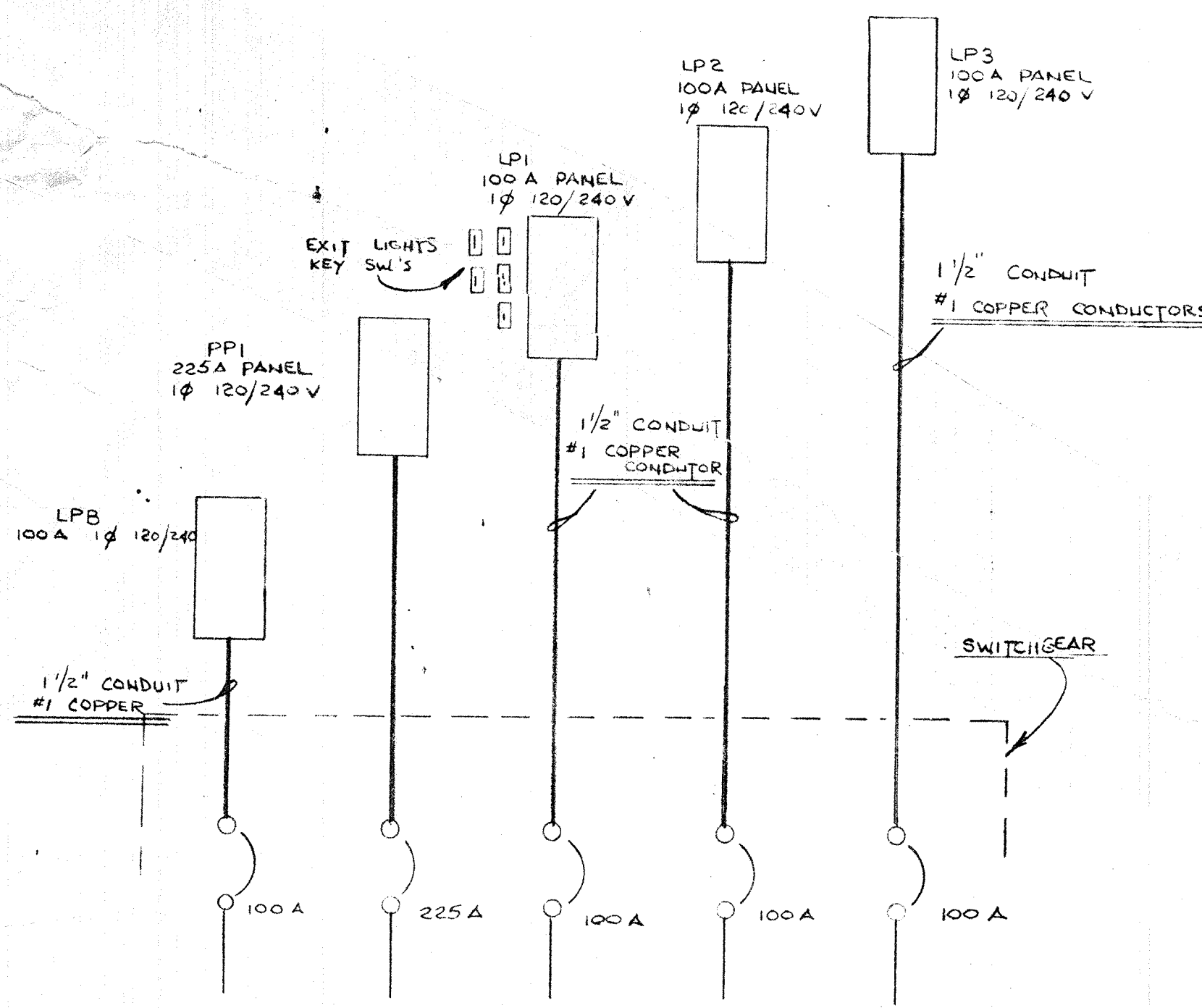


TYPICAL HORN & STATION CIRCUIT

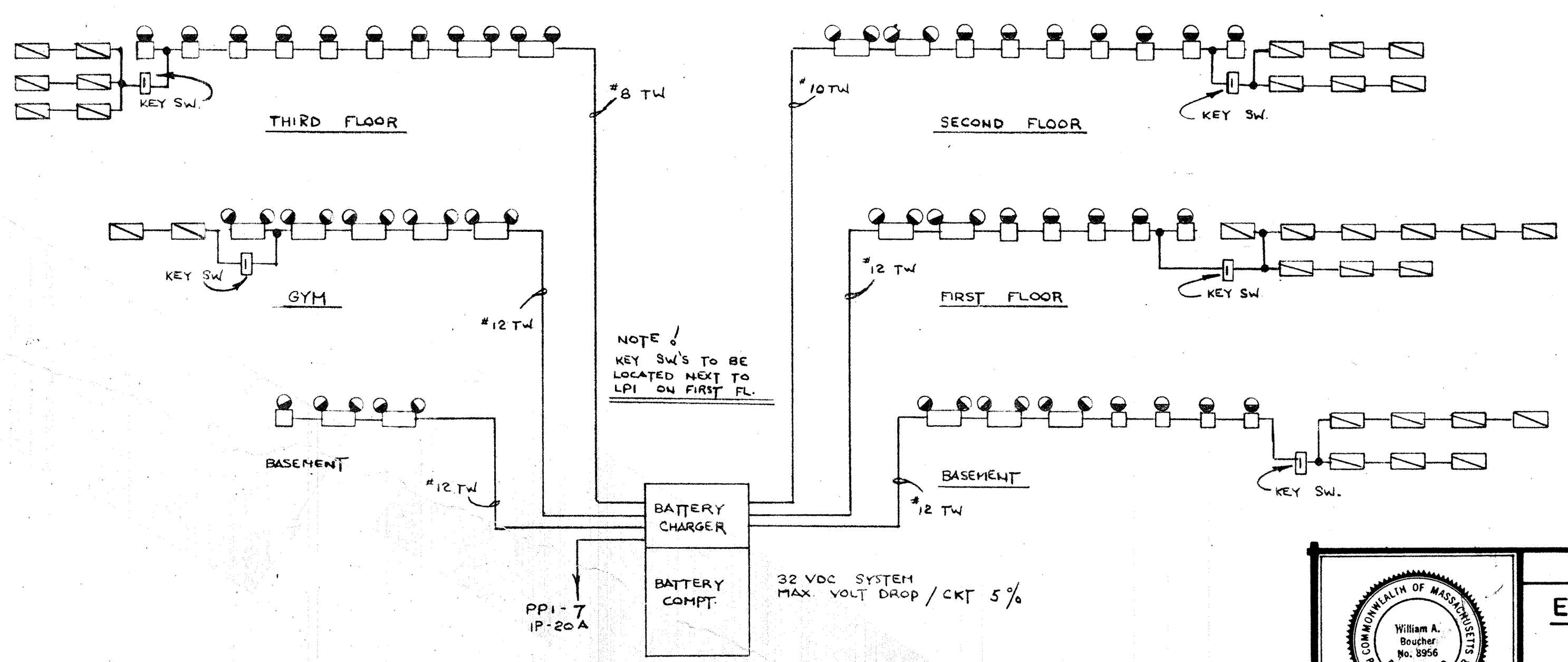
- LEGEND**
- Duplex Receptacle Up 16" Or As Noted
 - 220 Volt Outlet
 - Duplex Receptacle In Floor
 - Junction Box
 - Switch
 - 3 Way Switch
 - Wall Mounted Fixture
 - Electric Panel
 - Wiring Run to Panel
 - Fluorescent Fixture
 - Incandescent Fixture
 - Telephone Outlet In Wall
 - Telephone Outlet In Floor
 - Clock Outlet
 - Disconnect Switch
 - Starter
 - 3 Phase Motor HP As Shown
 - Single Phase Motor HP As Shown
 - Exit Light
 - Emergency Light
 - Fire Alarm Pull Station
 - Rate of Rise Heat Detector
 - Fixed Temperature Heat Detector
 - Fire Alarm Horn & Light
 - Emergency Battery
 - Butterdish Emergency Light
 - SMOKE DETECTOR

NOTE
All wiring shall be installed, grounded, in accordance with latest rules of the National Board of Fire Underwriters, local rules, and regulations.

NOTE
Minimum size wire No. 12
Minimum size conduit 3/4"
All wire copper

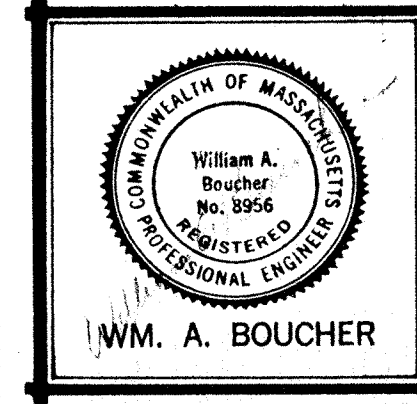


DISTRIBUTION DETAIL



EXIT & EMERGENCY LIGHTING DETAIL

Elias Brookings School Electrical Renovations
4301875



DETAILS

ELECTRICAL RENOVATIONS

ELIAS BROOKINGS SCHOOL
SPRINGFIELD, MASSACHUSETTS

SCALE: NONE
DRAWN: M.S.
DATE: APRIL 30 '75
DWG. NO.:
1E-6